

WEST BENGAL INDUSTRIAL DEVELOPMENT CORPORATION LTD.



(A GOVERNMENT OF WEST BENGAL UNDERTAKING)

“PROTITI”, 23, Abanindranath Thakur Sarani (Camac Street), Kolkata-700017

Phone: + 91 33 2255 3700-705 Fax: + 91 33 2255 3737

Email : wbidc@wbidc.com Web : www.wbidc.com

Corporate Identity Number: U75142WB1967SGC026988

NOTICE INVITING QUOTATION

Notice Inviting Quotation no: - WBIDC/IP/GP/9/Part-2/557

Date: 02.06.2023

Sealed Quotations are invited by the **West Bengal Industrial Development Corporation** from Empaneled Design Consultant of WBIDC for the work **“Consultancy services for preparation of estimate, considering current PWD schedule of rates for Underground Reservoir of capacity 13750 Liter (approx.) as per working drawing provided by WBIDC along with work supervision during execution of the work at Paridhan Garment Park, 19, Canal South Road, Beliaghata, Kolkata-700015”** having following item of work.

SL No.	Scope of Work
1	Consultancy services for preparation of estimate, considering current PWD schedule of rates for Underground Reservoir of capacity 13750 Liter (approx.) at Paridhan Garment Park, 19, Canal South Road, Beliaghata, Kolkata-70001 as per working drawing provided by WBIDC and submission of both soft and hard copy (2 copies) to WBIDC office.
2	Work supervision during execution of the construction of Underground Reservoir work along with Contractor’s bill certification at Paridhan Garment Park, 19, Canal South Road, Beliaghata, Kolkata-700015.

Date of publication of NIQ: 05.06.2023 by 10.00A.M, in office notice board, tender portal of WBIDC’s official website.

Bid submission start date: 06.06.2023 by 10.30 A.M. onward up to 4:00 P.M. every day only on working days.

Last date of submission of bid: 19.06.2023 by 4:00 P.M

Date of opening of quotation: 21.06.2023 at 11:00 AM.

WEST BENGAL INDUSTRIAL DEVELOPMENT CORPORATION LTD.



(A GOVERNMENT OF WEST BENGAL UNDERTAKING)

“PRATITI”, 23, Abanindranath Thakur Sarani (Camac Street), Kolkata-700017

Phone: + 91 33 2255 3700-705 Fax: + 91 33 2255 3737

Email : wbidc@wbidc.com Web : www.wbidc.com

Corporate Identity Number: U75142WB1967SGC026988

Terms and Conditions.

1.The quotations to be submitted in sealed envelope in the drop box kept in the office of WBIDC i.e PRATITI Building,23, Abanindranath Thakur Sarani, (Camac street), Kolkata – 700017. The envelop should be superscribed as **“Consultancy services for preparation of estimate, considering current PWD schedule of rates for Underground Reservoir of capacity 13750 Liter (approx.) as per working drawing provided by WBIDC along with work supervision during execution of the work at Paridhan Garment Park, 19, Canal South Road, Beliaghata, Kolkata-700015”** and should contain the name and address of the quotationer.

2. The quotationer will have to submit the following documents along with the quotation.

- a) Self –attested photo copy of valid GST registration certificate.
- b) Self-attested photocopy of valid trade license.
- c) Self-attested photocopy of PAN card.
- d) Credentials of execution of same kind of work.

Quotations received without the above mentioned documents will be summarily rejected.

3. The bidder quoting the lowest rates, if all other conditions are satisfied, may be issued to work contract.

4. The quoted price should be excluding of **GST** as applicable. **GST** will be paid separately.

5. The quotationer must visit site of Paridhan Garment Park, 19, Canal South Road, Beliaghata, Kolkata-700015 before submission of quotation. For site visit or any clarification, the quotationer may contact the person (s) whose contact details are given below:

Mr. Soumitra Sen, Advisor (Projects), WBIDC, Contact no. 033 22553839.

Mrs. Kuntal Chaudhuri, Executive Assistant (IP&P), WBIDC, Contact no. 033 22553758.

6. No mobilization charges shall be considered against the above work either separately or inclusive with the quoted rate.

7. The work, mentioned above, to be completed successfully and full satisfaction of the departmental authorized person.

8. Other Statutory deduction towards IT etc. or as applicable will be deducted from the bill / bills.

WEST BENGAL INDUSTRIAL DEVELOPMENT CORPORATION LTD.



(A GOVERNMENT OF WEST BENGAL UNDERTAKING)

“PROTITI”, 23, Abanindranath Thakur Sarani (Camac Street), Kolkata-700017

Phone: + 91 33 2255 3700-705 Fax: + 91 33 2255 3737

Email : wbidc@wbidc.com Web : www.wbidc.com

Corporate Identity Number: U75142WB1967SGC026988

9. Payment for preparation of estimate will be made after submission of estimate of Underground Reservoir as mentioned above and payment for supervision work along with bill certification of contractor will be made only after successful completion of the work along with water testing of UGR i.e acceptance of work in accordance with scope of work.
10. All payment will be made in account payee cheque / direct bank transfer only.
11. The participant in the quotation process may remain present personally or may send their authorized representative during opening of their quotations.
12. Submission of quotation will imply that the quotationer will abide by all the terms and conditions of this “Notice Inviting Quotation”.
13. Contractor shall have to arrange all materials and machineries required for the job. No material will be issued by the department.
14. The bidder/ quotationer will sign on every page of N.I.Q as a token of acceptance of the terms and condition
15. Conditional quotation will not be accepted and shall be deemed as **“informal”**.
16. In case of any dispute arise during execution of the work or after completion of the work, Managing Director, WBIDCL reserves the right to accept / cancel/ change/ modify this notice completely or partially without giving any notice to anybody.

By order,

**Managing Director
WBIDC**

WEST BENGAL INDUSTRIAL DEVELOPMENT CORPORATION LTD.



(A GOVERNMENT OF WEST BENGAL UNDERTAKING)

“PROTITI”, 23, Abanindranath Thakur Sarani (Camac Street), Kolkata-700017

Phone: + 91 33 2255 3700-705 Fax: + 91 33 2255 3737

Email : wbidc@wbidc.com Web : www.wbidc.com

Corporate Identity Number: U75142WB1967SGC026988

Name, Address, Contact No. of Quotationer (Filled by the Quotationer):

ANNEXURE.

Schedule for the work “Consultancy services for preparation of estimate, considering current PWD schedule of rates for Underground Reservoir of capacity 13750 Liter (approx.) as per working drawing provided by WBIDC along with work supervision during execution of the work at Paridhan Garment Park, 19, Canal South Road, Beliaghata, Kolkata-700015”.

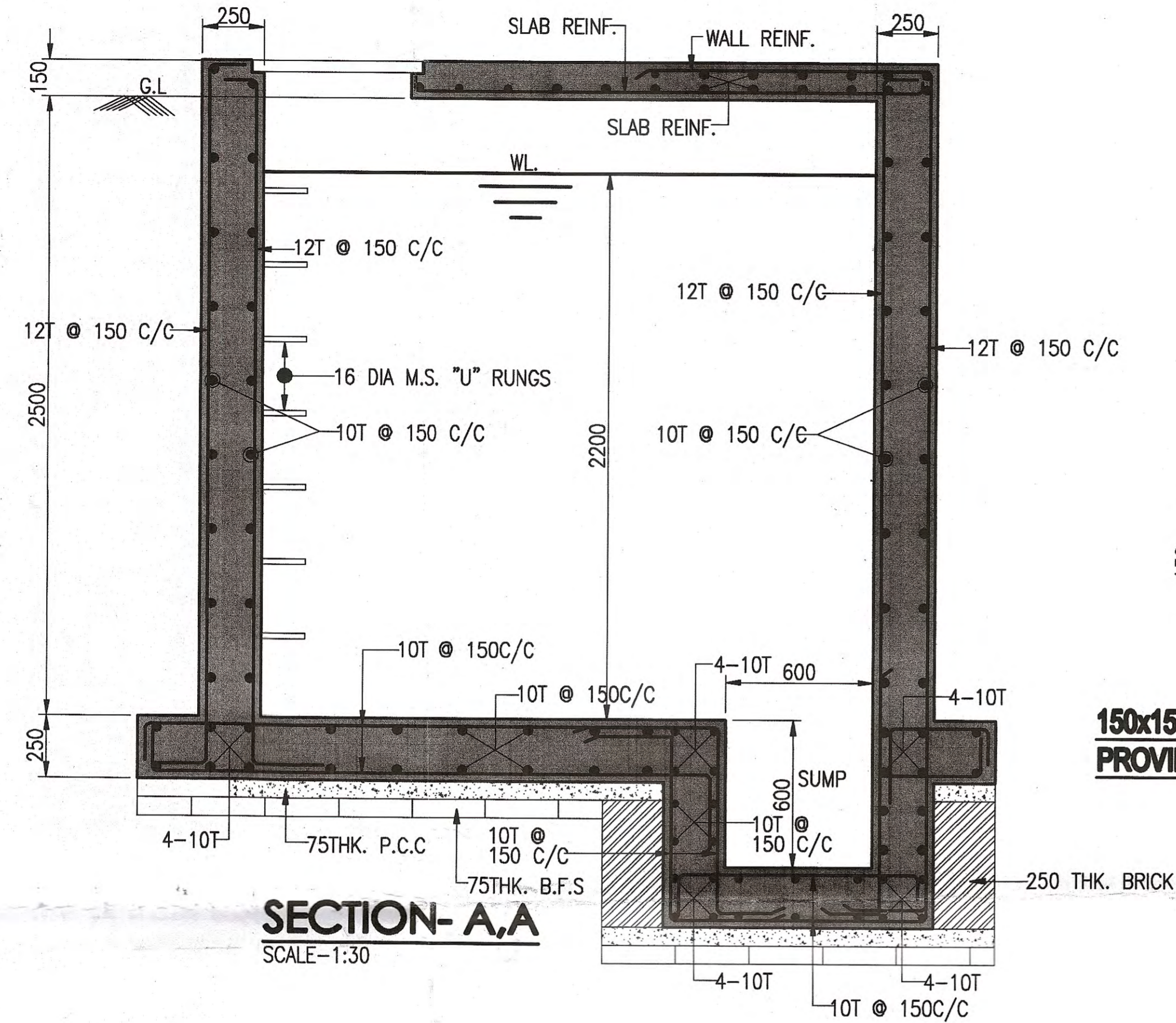
Ref: - WBIDC/IP/GP/9/Part-2/557

Date: 02.06.2023

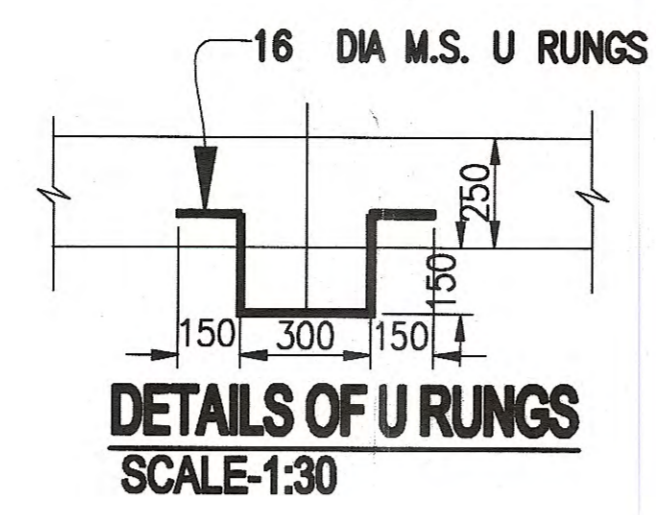
SI No	Description of the Item	No or Qty	Unit	Rate In Figure(₹)	Amount (₹)	Amount In Words (₹)
1	Consultancy services for preparation of estimate, considering current PWD schedule of rates for Underground Reservoir of capacity 13750 Liter (approx.) at Paridhan Garment Park, 19, Canal South Road, Beliaghata, Kolkata-70001 as per working drawing provided by WBIDC and submission of 2 copies to WBIDC office.	1	No			
2	Work supervision during execution of the construction of Underground Reservoir work along with Contractor’s bill certification at Paridhan Garment Park, 19, Canal South Road, Beliaghata, Kolkata-700015.	1	No			
TOTAL (Excluding GST)						

Rupees in words (For office use only):-

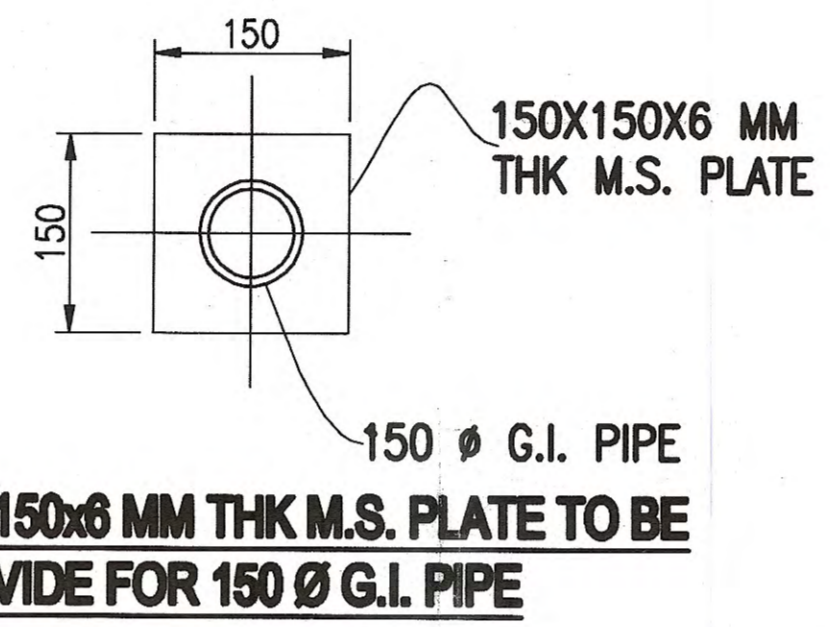
Name with signature and seal
by the quotationer



SECTION-A,A
SCALE-1:30

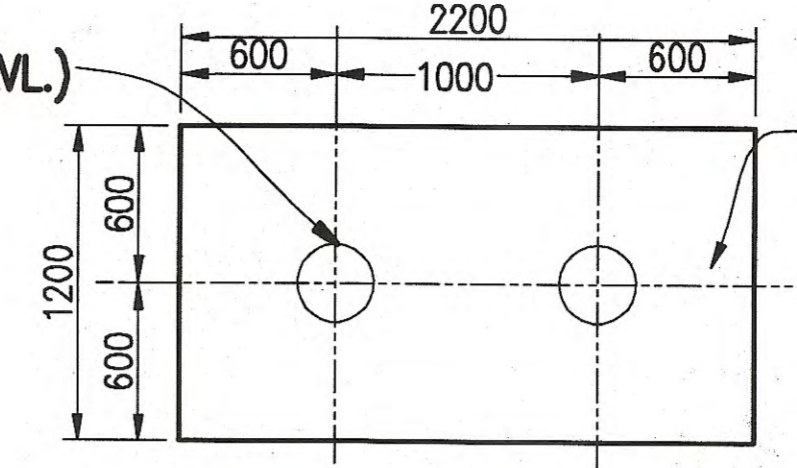


DETAILS OF U RINGS
SCALE-1:30



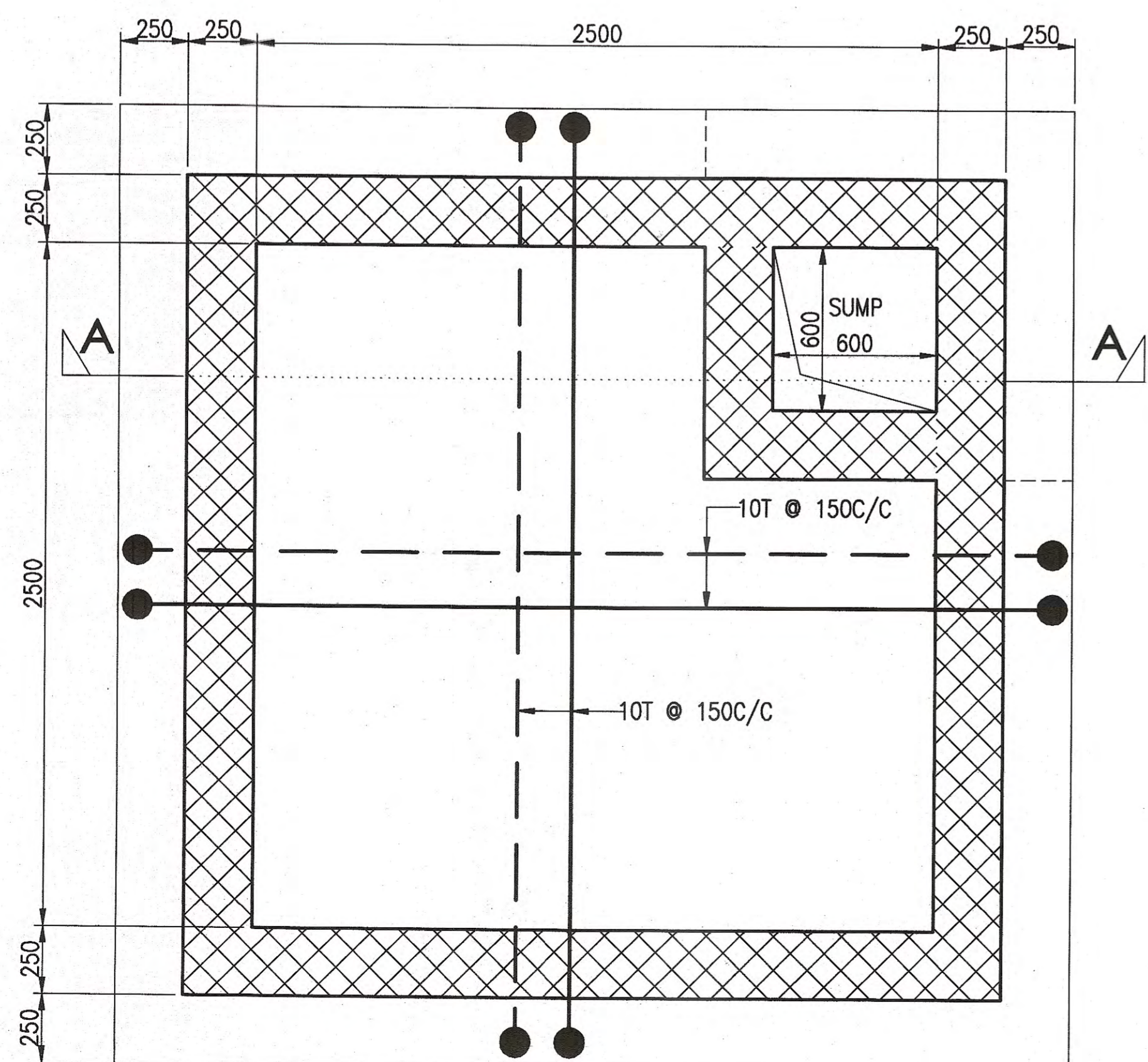
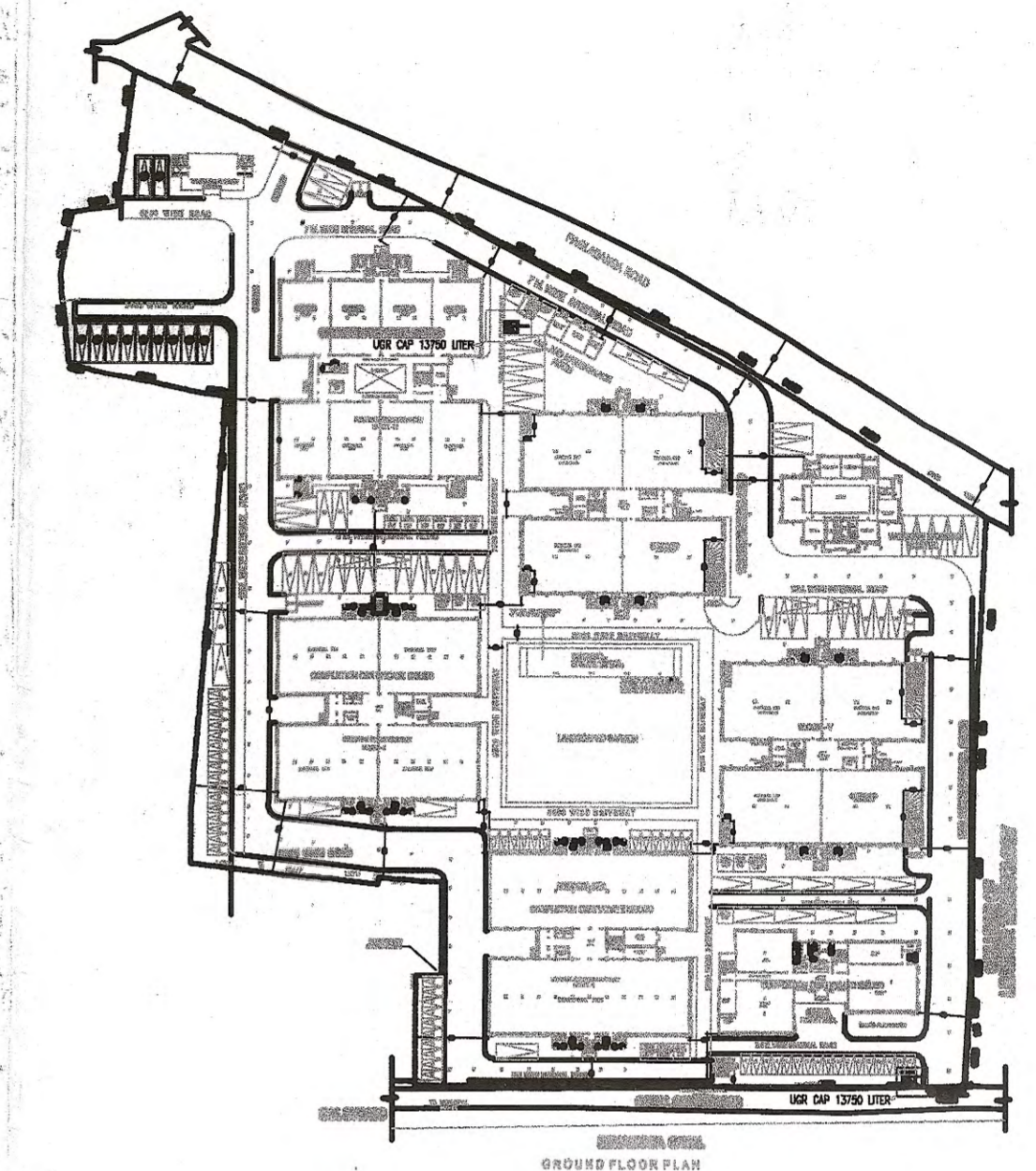
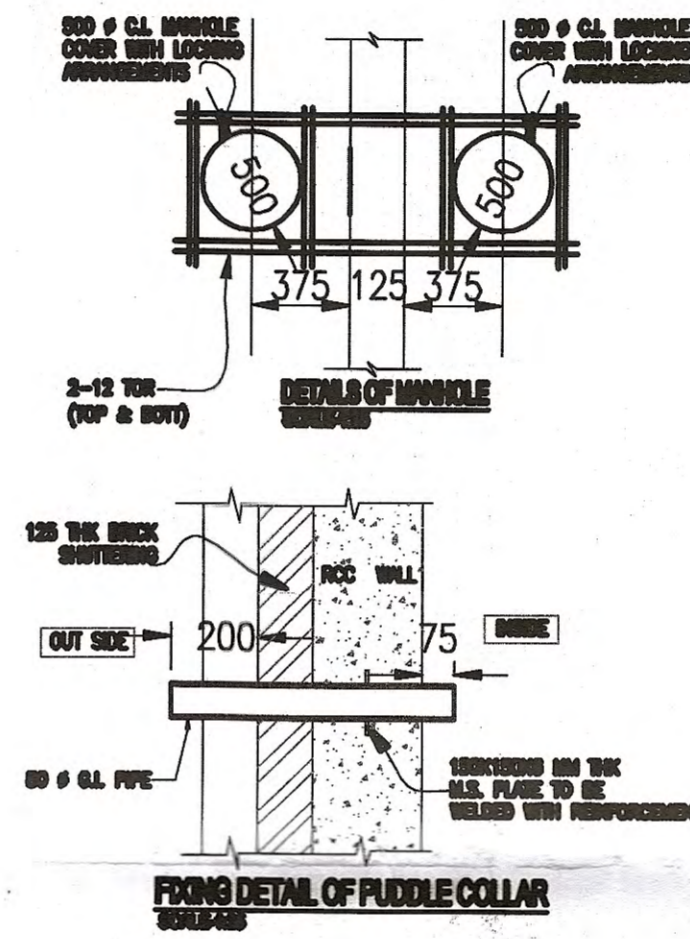
150x150x6 MM THK M.S. PLATE TO BE PROVIDE FOR 150 Ø G.I. PIPE

150Ø PUDDLE COLLAR WITH SUCTION PIPE FOR SPINKLER PUMP (ABOVE 500 FROM F.L.LVL.)

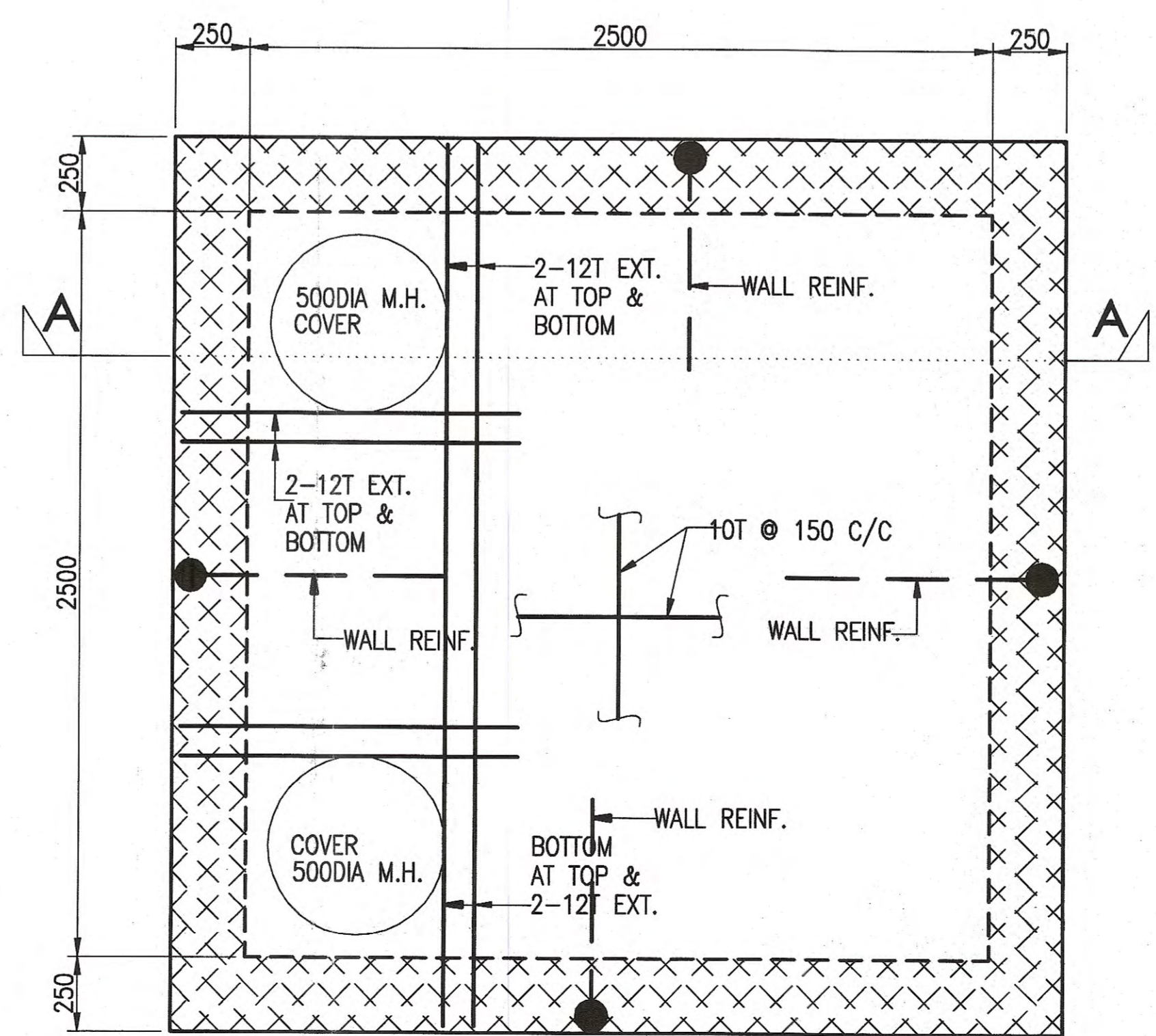


DETAIL OF PUDDLE COLLAR FOR OUTLETS
SCALE-1:30

150Ø PUDDLE COLLAR WITH SUCTION PIPE FOR FIRE PUMP (ABOVE 500 FROM F.L.LVL.)



BOTTOM PLAN OF UGR
SCALE-1:30



TOP PLAN OF UGR
SCALE-1:30

DATE	REV. NO.	DESCRIPTION	CHECKED	APPROVED
------	----------	-------------	---------	----------

REVISIONS

PROPOSED GARMENT PARK AT PRE NO. 19 CANAL SOUTH ROAD KOLKATA - 15.

GA & RC DETAIL OF UGR

WEST BENGAL INDUSTRIAL DEVELOPMENT CORPORATION LTD.

PROJECT MANAGEMENT CONSULTANTS ICICI-WINFRA (A JOINT VENTURE BETWEEN ICICI AND WBIDC) 2-B GORAKH TERRACE KOLKATA- 700071

MUKUL MITTRA B. ARCH (CONS), FIIA, AIV REGISTERED ARCHITECT CA/35/00003

CONSULTANTS FOR HUMAN SETTLEMENT SHELTER
FLAT 11, KOHINOOR, 105 PARK STREET CALCUTTA 700016. TEL. 226 8384. FAX: 4682971
164/B BECHARAM CHATTERJEE ROAD, SANSUNA, CALCUTTA 700061. TEL: 468 6010
SOUTHERN ENGINEERING ERectors, 566 ANNA SALAI, TERNAMPET, CHENNAI 600018. TEL. 4349907

DEALT BY- SURAJIT GANGULY CKD. BY- ANKIT AGARWALA

SCALE- 1:50, 1:25

DATE- 28-12-2020 DRG. NO. - GAR/WD/AR/05

THIS DRAWING IS THE PROPERTY OF M/S SHELTER AND CANNOT BE COPIED OR OTHERWISE USED WITHOUT THEIR WRITTEN PERMISSION

Time copy
Madan Kumar
Director